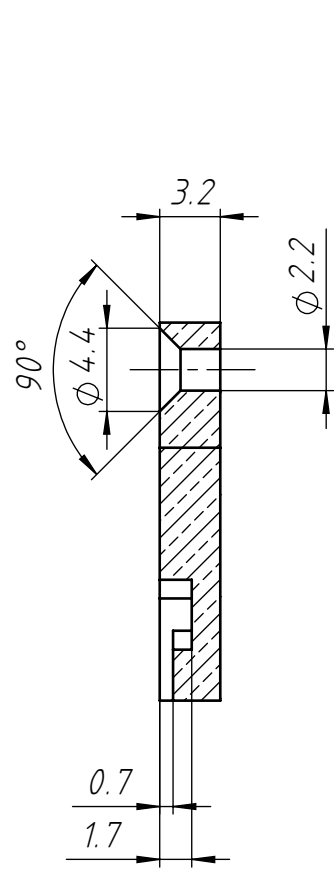
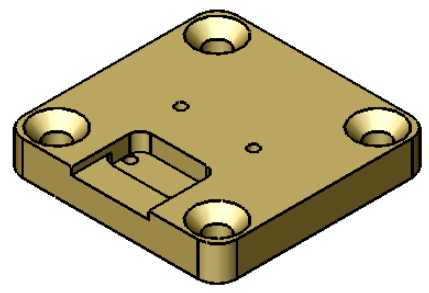
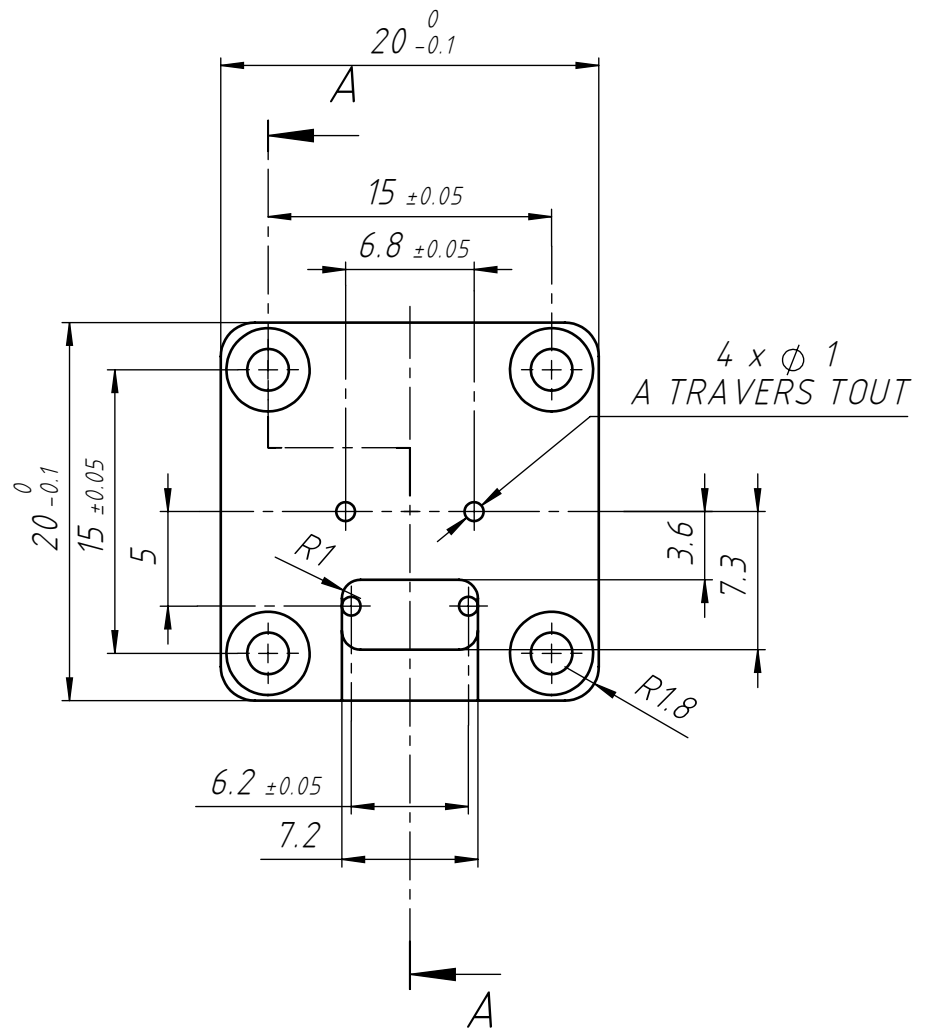


1 $\frac{N8}{\nabla}$



COUPE A-A



Casser les angles 0.2 x 45°

1	1			CuZn38Pb2-HA				
POS.	QUANTITY	UNIT	DRAWING NO.	DENOMINATION/CHARACTERISTICS				
DIMENSIONS IN mm		MOD.		DRAWN	23/04/2009	P.Minguely	SCALE 2,5:1	
DIMENSIONS WITHOUT TOLERANCES:				CHECKED				
ISO2768-fH				ENG APPR.				
				MFG APPR.				
				Q.A.				
				SIZE	A4	SHEET 1 OF 1		
		POSIC S.A. Jaquet-Droz 7; CP 710 CH-2002 Neuchâtel Switzerland T: +41 32 720 54 00	<i>Support capteur DemoB</i>		DWG. NO. 010460-M002	REV. A		
THE INFORMATION CONTAINED IN THIS DRAWING IS THE SOLE PROPERTY OF POSIC SA. ANY REPRODUCTION IN PART OR AS A WHOLE WITHOUT THE WRITTEN PERMISSION OF POSIC SA IS PROHIBITED.								